

LEDone®

LOC-BL Series Installation Guide

SAFETY INSTRUCTIONS: Read instructions carefully before attempting to install fixture.

- All wiring should be performed by a qualified electrician.
- Disconnect power before installing or servicing. This fixture must be wired in accordance with the National Electrical Code and applicable local codes and ordinances.
- Proper grounding is required to ensure personal safety.

CAUTION: Risk of fire

- **WARNING:** Make certain power is OFF before installing or maintaining fixture. No user serviceable parts inside.
- **WARNING:** Risk of shock when photoelectric switch is provided.
- **WARNING:** Please check if the voltage marked on the luminaire is consistent with the input voltage to be connected.
- **WARNING:** Do NOT use in an area with strong acid mist.
- **WARNING:** Make sure the installation position can withstand 10 times the weight of the luminaire before installing.
 - Install it at a flat place without vibration, swinging or fire hazards.

CLEANING & MAINTENANCE:

CAUTION: Be sure the fixture temperature is cool enough to touch. Do NOT clean or maintain while the fixture is energized.

1. Clean lens with non-abrasive cleaning solution.
2. Do NOT open fixture to clean the LED. Do NOT touch the LED.

Note: These instructions do not cover all details or variation in equipment, nor do they provide for every possible situation during installation, operation or maintenance.

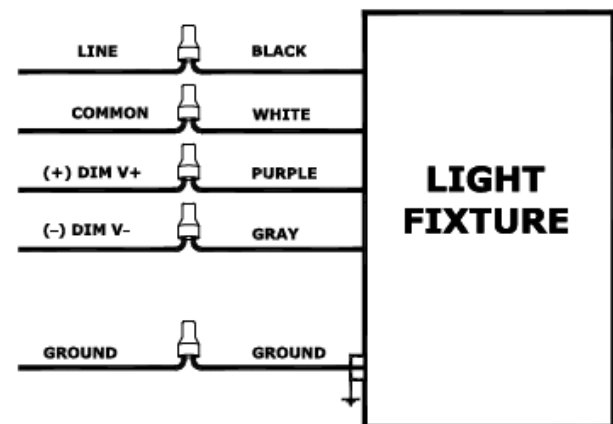
TROUBLESHOOT:

- If the light will not come on:
 - **A.** Light switch is turned off. Turn light switch on.
 - **B.** Fuse is blown, or circuit breaker is turned off. Replace fuse or turn circuit breaker on.
 - **C.** Incorrect circuit wiring. Verify that fixture is wired properly.

0-10V DIMMABLE WIRING:

Universal voltage driver permits operation at 120V through 277V, 50/60Hz. A 5-wire cord is provided. For 0-10V dimming, follow the wiring instructions in Fig. 2.

1. Connect the BLACK fixture lead to the (+) LINE supply lead.
2. Connect the WHITE fixture lead to the (-) COMMON supply lead.
3. Connect the GROUND wire from fixture to supply ground.
Do NOT connect the GROUND of the dimming fixture to the output.
4. Connect the PURPLE fixture lead to the (V+) DIM lead.
5. Connect the GRAY fixture lead to the (V-) DIM lead.
6. Cap the YELLOW fixture lead, if present. Do NOT connect.



MOUNTING:

1. **WALL MOUNTING:** Follow mounting directions as in Fig. 1 to 3
 - a. Install the lamp to the wall with screws.
 - b. Connect the circuit as required and install the cavity cover.
 - c. Turn on power.

Fig. 1

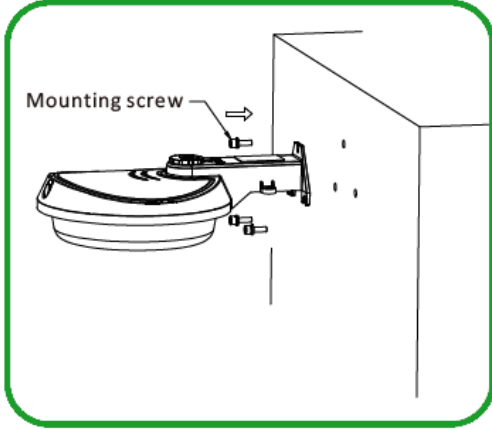


Fig. 2

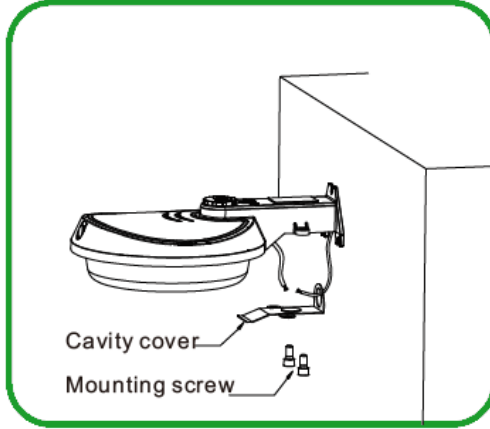
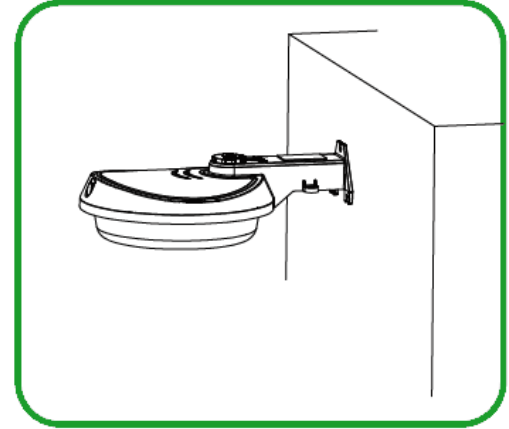


Fig. 3



2. **ARM MOUNTING:** Follow mounting directions as in Fig. 4 to 6

- a. Insert the electric wire into the lamp pole, insert the lamp pole and lock the pressing block.
- b. Install the lamp pole into the mounting bracket and fix it.
- c. Connect the lines as required.

Fig. 4

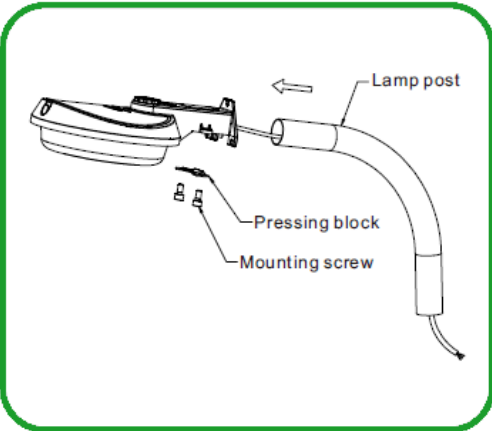


Fig. 5

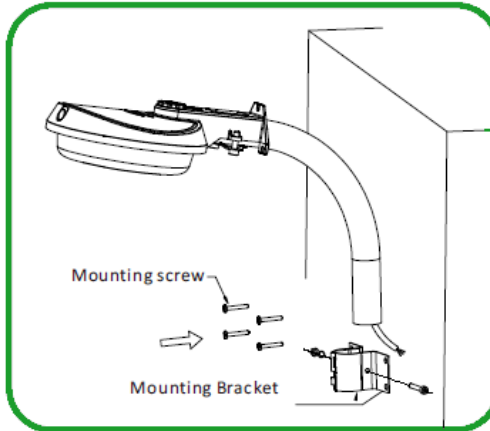
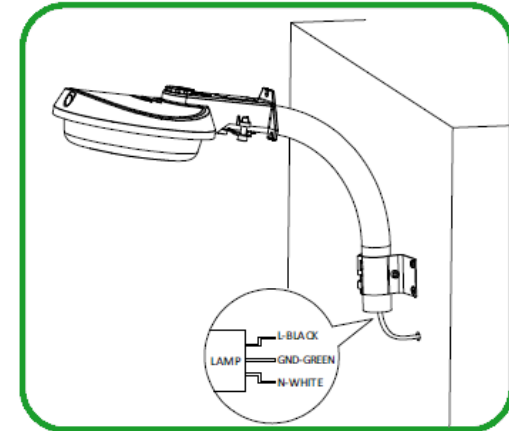
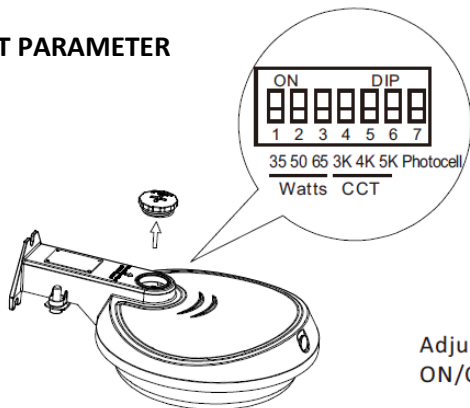


Fig. 6



ADJUST PARAMETER



Adjust CCT and watts
ON/OFF photocell.

